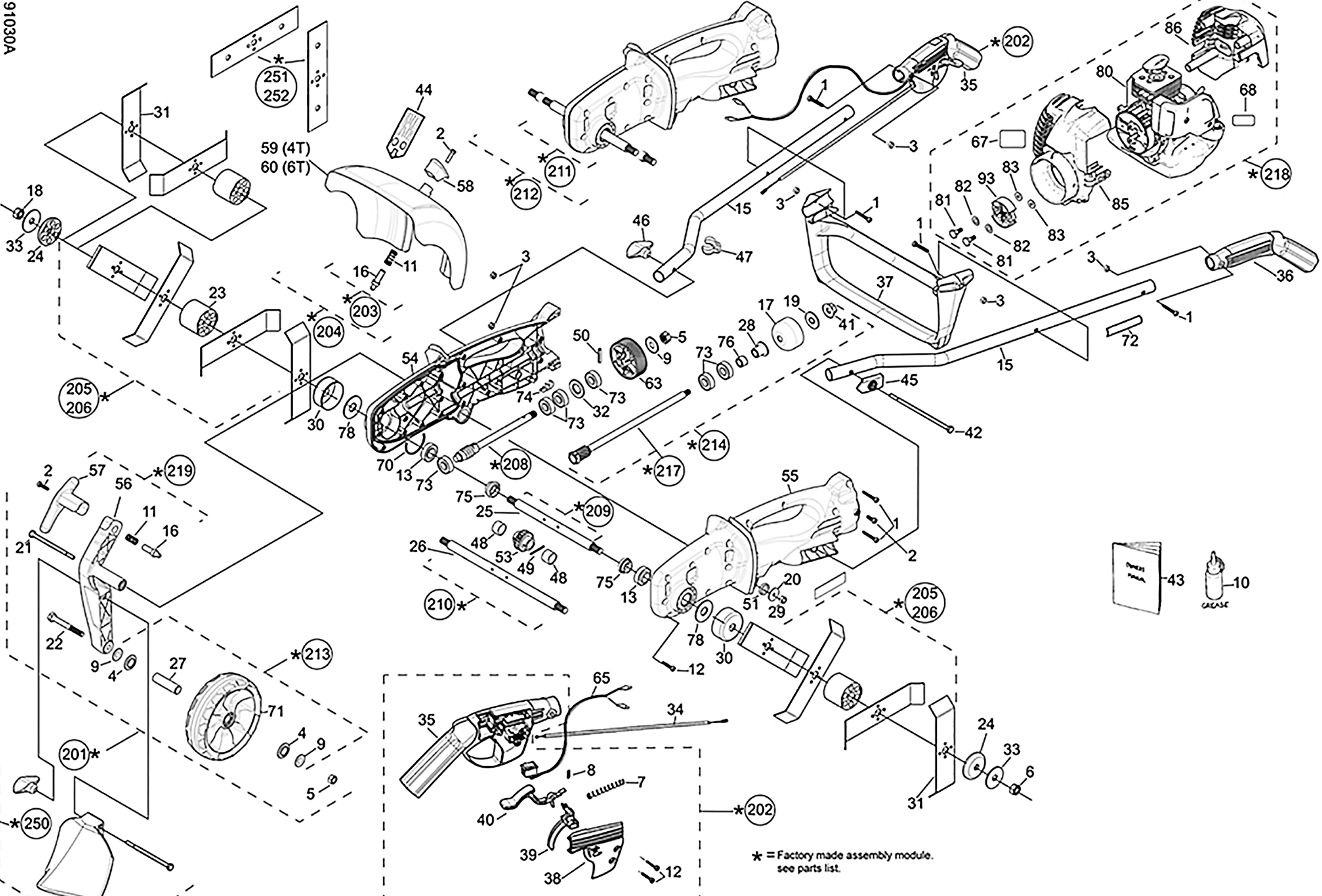


# 738 TILLER WITH ATOM 26FC-4/26FC-5 COMMERCIAL ENGINE

191030A



ATOM MODEL: 738 TILLER with 26FC-5 engine

PART NO: 21738

Key	Part No	Substitute Part No	Description	Key	Part No	Substitute Part No	Description	Key	Part No	Substitute Part No	NLA*	Description
1	40650		SCREW M5 x 36mm TORX25	34	63002		CABLE THROTTLE 910+62	73	63474			BEARING 32 x 10 x 12
2	40651		SCREW M6 x 16mm TORX25	35	63017BS		HANDLE RH with RUBBER	74	63533WE			HOOK EDGER CABLE BODY
3	40652		NUT NYLOC M5	36	63019BS		HANDLE LH with RUBBER	75	63771		X	SPACER GREASE SAVER TILLER
4	42111		SEAL 27.2 x 12.6 WH	37	63020WE		HANDLE CROSS BRACE	76	63772			SPACER MAIN SHAFT TILLER
5	43172		NUT NYLOC 3/8 UNC w/AXLE ZP	38	63021WP		COVER RH HANDLE GREY	77	63867			NUT 3/8 HOLDING
6	43173		NUT M12 x 1.75 RH	39	63022WN	63883S	SET TRIGGER & INTERLOCK	78	63868			WASHER 25x17x 2
7	43198		SPRING TRIGGER COMP	40	63023WN	63883S	SET TRIGGER & INTERLOCK	80	65195			ENG ATOM 26FC5 w/o COVERS
8	43199		SPRING SMALL INTERLOCK	41	63032	43163	NUT FLANGE 3/8 UNC Y ZP	81	63553			FC/HPE BOLT CLUTCH M6
9	43218		WASHER 3/8 ZP20x1.8x26	42	63049		BOLT HEX 6.5 x 1/4 BSW	82	63554			FC/HPE CLUTCH WASHER WAVY
10	43227		GREASE & DISPENSER	43	21775		MANUAL ALL MODELS	83	63556			FC/HPE WASHER CLUTCH FLAT
11	43452		SPRING HT ADJ ARM COMP	44	63065		LABEL WARN TILLER GUARD	84	63553			BOLT CLUTCH M6
12	43790		SCREW M5.5 x 22 TORX25	45	63187BN		CAPTIVE PLATE 1/4 HEX BOLT	85	63393CN			COWL FRONT 26FC4/5 BLUE
13	43868		BEAR 6003-2RS 4.5mmx17ID	46	63488A		ASSY HANDLE KNOB+NUT	86	63394CN			COWL REAR 26FC4/5 BLUE
14	44006		NUT 1/4 UNC ZP 10.9mm	47	63217BN		CLIP - HANDLE CABLE & WIRE	93	63555A			CLUTCH ASSY GX25-26KZ-ATOM
15	44060		HANDLE TUBE	48	63261		SPACER TILLER GEAR STEEL	201	63871A			ASSY ARM+WHEEL TILLER
16	62723		PIN ADJ M6x1.0mm THREAD	49	63269		PIN ROLL 6 x 30 TL	202	63433AR			ASSY RH HDL HONDA 441-481-561
17	44318		DRUM CLUTCH CUP 54mm	50	63275		PIN ROLL 5 x 30 DR/TL	203	63872AWE			ASSY COVER TINE 250
18	45112		NUT M12 x 1.75 LH	51	63224	63348	O-RING 18x4mm	204	63873AWE			ASSY COVER TINE 350
19	63277		WASHER CL DRUM	53	63368		GEAR 10:1 WORM DRIVEN STEEL	205	63208S8			TINE 4 TINE SET (8 piece set)
20	62795		WASHER 28x1.6x1/4 HOLE	54	63912WN		SET LH+RH TILLER GREY	206	63209S12			TINE 6 TINE SET (12 piece set)
21	62843		HEX BOLT 3.5x1/4 BSW WL/ARM	56	63376WP		WHEEL ARM TILLER	208	63411A			ASSY TILLER WORM & SHAFT
22	62844		HEX BOLT 3x3/8 BSW	57	63377WP		HEIGHT ADJ HANDLE ARM	209	63874A			ASSY GEAR WORM CRN 250 SHAFT
23	62851WP		SPACER TINE LARGE 45.5mm	58	63378WP		KNOB COVER TILLER	210	63875A			ASSY GEAR WORM CRN 350 SHAFT
24	62852WP		SPACER TINE SMALL 10mm	59	63380WE		COVER TINE 250(U-GAP 87)	211	63876WNK			ASSY TILL GREY ST1 250
25	62891		SHAFT TINE 250mm	60	63381WE		COVER TINE 350(U-GAP 87)	212	63877WNK			ASSY TILL GREY ST1 350
26	62892		SHAFT TINE 350mm	61	63384		GEAR SEAL TILLER	213	63880A			ASSY TILL WHEEL-TUBE-SEALS
27	62903		SPACER WHEEL 41.5mm	63	63780		GEAR DR HELIX 38T	214	63881A			ASSY TILL SHAFT-GEAR-DRUM
28	62912	64119	HUB SINTERED 11.5mm	64	63387	63978A	ASSY HELIX GEAR+SHAFT	217	63978A			ASSY HELIX GEAR + SHAFT
29	62919		NUT NYLOC 1/4 UNC	65	63400		ROCKER SWITCH & WIRE	218	65195A			ENG ATOM 26FC5 w/COVERS
30	62921		DRUM TINE 17mm	69	63410		SHAFT T PINION WORM	250	63222			FURROW ATTACHMENT KIT
31	62948		TINE TILLER	70	63439		SEAL U GEAR BOX TILLER	251	63204S8			SET TINE DETHATCH & AERATE
32	62982		WASH BEARING 31.8x18.5x1.6T	71	63445BP	64967BP	EDGER DOM WHEEL	252	63205S12			SET TINE DETHATCH & AERATE
33	62983		WASHER BLADES 54x12.2x2	72	63466		LABEL HANDLE SAFETY					

For information on 738 engine, see ref 772 under 'Petrol Engines, Parts & Drawings'.