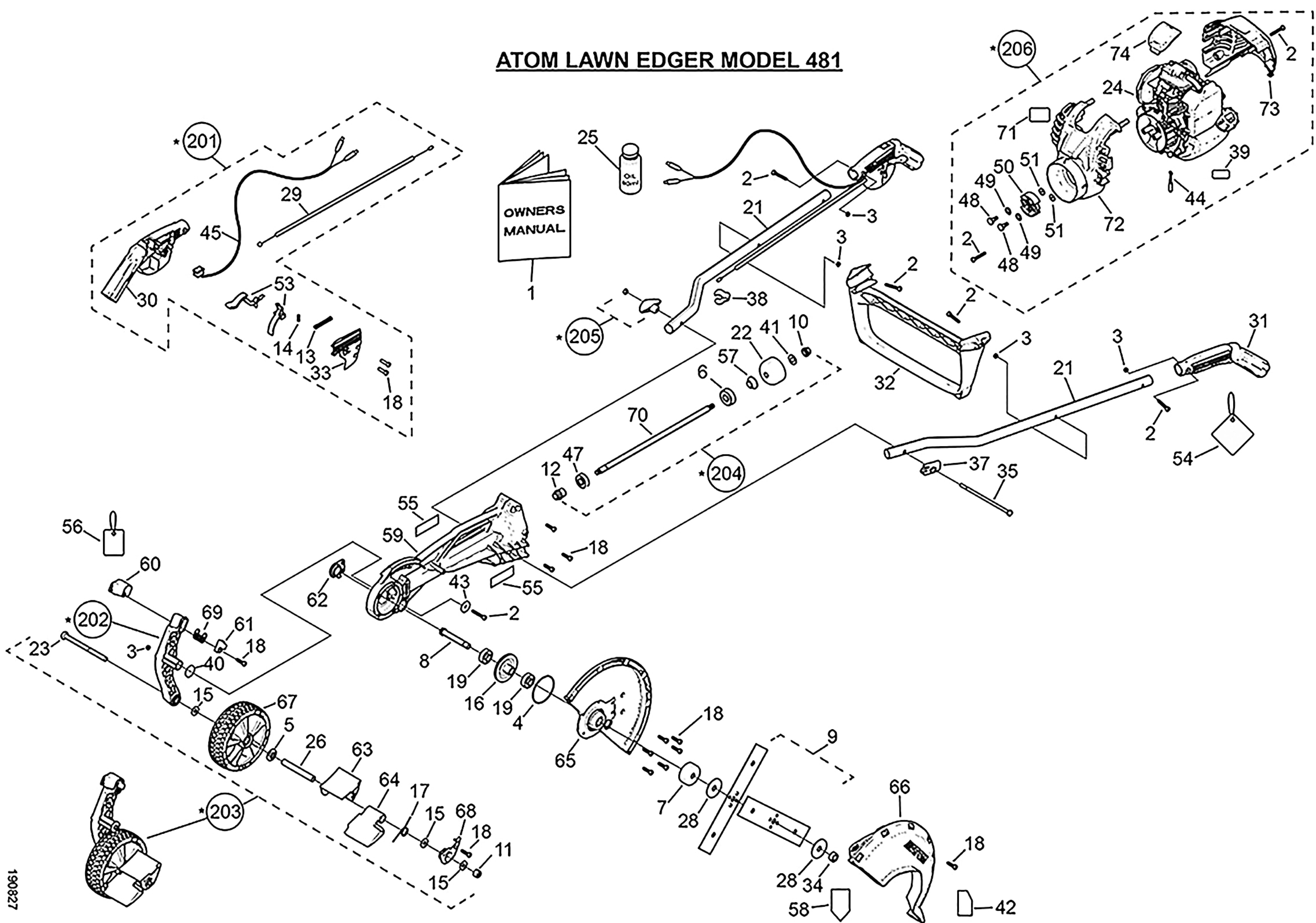


ATOM LAWN EDGER MODEL 481



ATOM MODEL: 481 DELUXE DOM EDGER with GX25 engine

PART NO: 20481

Key	Part No	Substitute Part No	Description	Key	Part No	Substitute Part No	Description	Key	Part No	Substitute Part No	Description
1	21775		MANUAL ALL MODELS	35	63049		BOLT HEX 6.5X1/4 BSW	71	65190		EDG LABEL MODEL 481 GX25
2	40650		SCREW M5x36mm TORX25	37	63187BN		CAPTIVE PLATE 1/4 HEX BOLT	72	64236RN		GX25 MK2 FRONT COVER
3	40652		NUT NYLOC 5mm TORX25	38	63217BN		CLIP-HANDLE CABLE&WIRE	73	64237RN		GX25 MK2 REAR COVER
4	40906	65164	O-RING ID 63x2mm	39	63219		LABEL HOT MOTOR/OIL CLEAN	74	64238RN		GX25 MK2 SPARKPLUG COVER
5	42111		SEAL 27.2 x 12.6 WHEEL	40	63224	63348	O-RING 18x4mm	201	63433AR		ASSY RH HAN 441-481-561
6	43108		BEARING 6301-2RS 37x12x12	41	63277		CL DRUM WASH 12x27x2 Y ZP	202	65135AWN		ASSY ARM w/NUT 438-481-458
7	43112		DRUM BLADE	43	63327		WASHER 26x1.6x6.6 ZP	203	65136AWN		ASSY WHEEL+ARM 438-481-458
8	43114		SHAFT BLADE EDGER	44	63355		GROUND WIRE	204	65137A		SHAFT ASSY 344
9	43105		BLADE SET 10.2/3 (271mm)	45	63400		ROCKER SWITCH WITH WIRE	205	63488A		ASSY HANDLE KNOB+NUT
10	43163		NUT FLANGE 3/8 UNC Y ZP	47	63474		BEARING 32x10x12	206	65139A		ASSY ENG GX25 SATS
11	43172		NUT NYLOC 3/8 UNC w/AXLE ZP	48	63553		FC/HPE CLUTCH BOLT M6	For information on GX25 engine, see ref 764 under 'Petrol engines, Parts and Drawings'.			
12	43176		GEAR PINION 25.5mm	49	63555A		FC/HPE CLUTCH WASHER WAVY				
13	43198		SPRING TRIGGER COMPRESS	50	63555A		CLUTCH ASSY GX25-26KZ-ATOM				
14	43199		SPRING SMALL INTERLOCK	51	63556		FC/HPE CLUTCH WASHER FLAT				
15	43218		WASHER 3/8 ZP 20x1.8x26	53	63883S		SET TRIGGER & INTERLOCK				
16	43245		GEAR CROWN EDGER/BUSH	54	63953		TAG-MADE IN AUSTRALIA				
17	43719		SPRING DEFLECTOR DEBRIS	55	63975		LABEL DELUXE LAWN EDGER				
18	43790		SCREW M5.5 x 22mm TORX25	56	63977		LABEL-TAG ADJ HEIGHT				
19	43860		BEARING 32x10x12+4mm	57	64119		HUB SINTERED 11.5mm				
21	44060		HANDLE TUBE	58	64378		LABEL WARN BLADE COVER				
22	44318		DRUM CLUTCH CUP 54mm	59	64958RN		EDG DOM MAIN BODY RED				
23	44439		BOLT AXLE 3/8x5.5	60	64960WN		EDG DOM HGT ADJ HAN GREY				
24	65139-EU5		ENG GX25 SATS-EU5	61	64961WN		EDG DOM HGT ADJ PIN GREY				
25	48101		GX OIL 80ml	62	64962WN		EDG DOM DUST CAP GREY				
26	62934		TUBE WHEEL 94mm EDGER	63	64963WN		EDG DOM DEBRI FLAP CASE GREY				
28	62983		WASHER BLADES 54x12.2x2	64	64964WN		DOM DEBRI FLAP GREY				
29	63002		CABLE THROTTLE 910+62mm	65	64965WN		EDG BLADE GUARD INNER				
30	63017BS		HANDLE RH WITH RUBBER	66	64966WN		EDG BLADE GUARD OUTER				
31	63019BS		HANDLE LH WITH RUBBER	67	64967BP		EDG DOM WHEEL				
32	63020WE		HANDLE CROSS BRACE	68	64985WN		EDG FLAP CASE COVER GREY				
33	63021WP		COVER RH HANDLE GREY	69	64993		SPRING HGT ADJ DOM				
34	63033		NUT RECESSED RH M12x1.75	70	65115		SHAFT DOM 344				